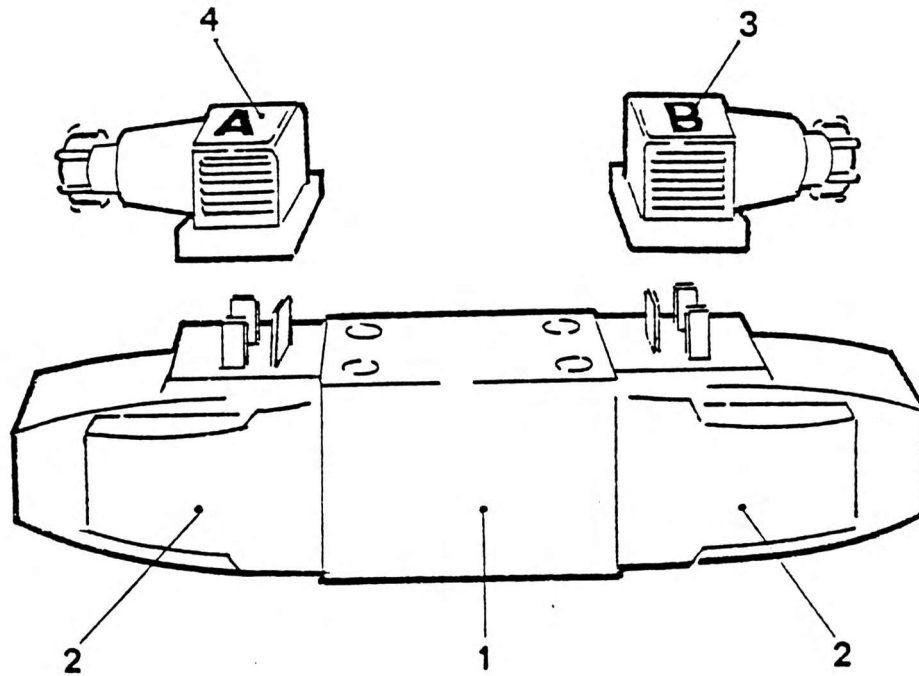


SOLENOID VALVE



NO.	PART NO.	QTY.	DESCRIPTION	NO.	PART NO.	QTY.	DESCRIPTION
-	7-926-990299	1	Valve Assembly				
1	% 8391928	1	Seal Kit) Early				
2	% 8392452	2	Solenoid) Design				
3	8781132	1	Socket (B)				
4	8781133	1	Socket (A)				
1	% 9-926-107414	1	Seal Kit) Later				
2	% 9-926-107413	2	Solenoid) Design				

% From approximately June 1989 this valve had a design change. To ascertain correct parts fitted please quote the part number stamped on the solenoid.